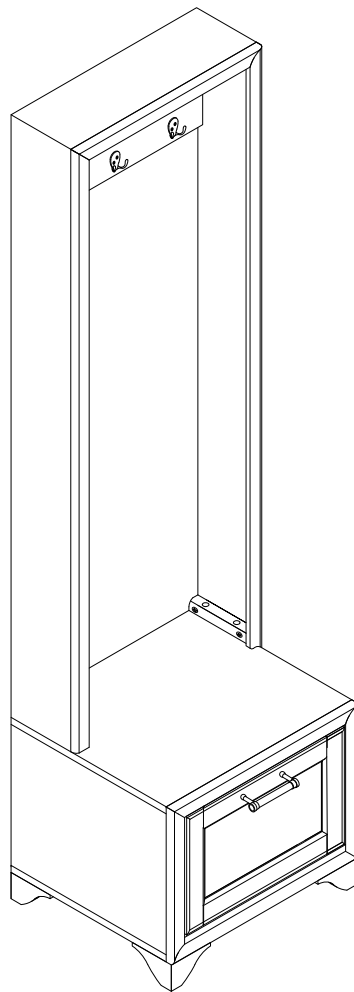
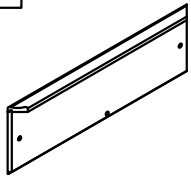
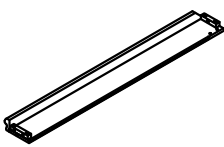
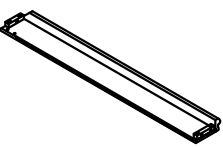
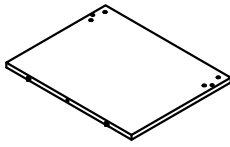
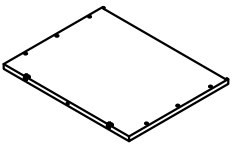
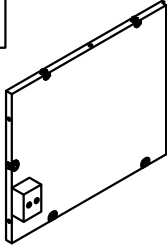
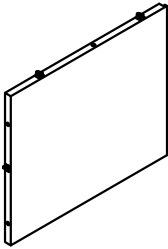
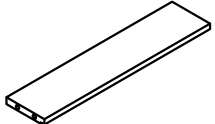
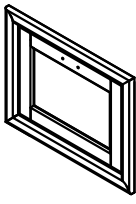

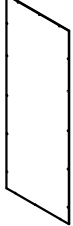
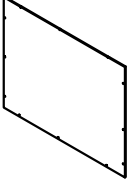
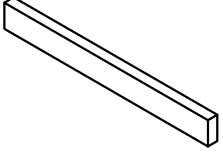




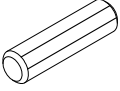


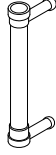
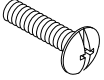
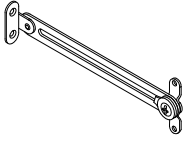

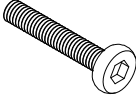



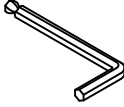

Hall Tree  
CF6029



# PART LIST

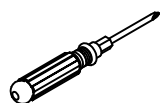
<p><b>A</b></p> 	<p><b>B</b></p> 	<p><b>C</b></p> 	<p><b>D</b></p> 	<p><b>E</b></p> 
<p>Top Panel 1 PC</p>	<p>Top Left Panel 1 PC</p>	<p>Top Right Panel 1 PC</p>	<p>Seat Panel 1 PC</p>	<p>Bottom Panel 1 PC</p>
<p><b>F</b></p> 	<p><b>G</b></p> 	<p><b>H</b></p> 	<p><b>I</b></p> 	<p><b>J</b></p> 
<p>Bottom Left Panel 1 PC</p>	<p>Bottom Right Panel 1 PC</p>	<p>Cross Rail 1 PC</p>	<p>Door Panel 1 PC</p>	<p>Leg 4 PCS</p>
<p><b>K</b></p> 	<p><b>L</b></p> 	<p><b>M</b></p> 		
<p>Top Back Panel 1 PC</p>	<p>Bottom Back Panel 1 PC</p>	<p>Cross Bar 1 PC</p>		

# HARDWARE LIST

<p><b>#1</b></p>  <p>Ø8*30mm</p>	<p><b>#2</b></p> 	<p><b>#3</b></p>  <p>14mm*Ø3*D6</p>	<p><b>#4</b></p> 	<p><b>#5</b></p>  <p>3/4"*Ø5/32"*D9mm</p>
<p>Wood Dowel 25 PCS (Extra 1)</p>	<p>Hook 2 PCS</p>	<p>Bronze Screw 4 PCS</p>	<p>Handle 1 PC</p>	<p>Round Head Bolt 2 PCS (Extra 1)</p>
<p><b>#6</b></p> 	<p><b>#7</b></p>  <p>14mm*Ø3*D6</p>	<p><b>#8</b></p>  <p>1-1/4"*Ø1/4"*D11mm</p>	<p><b>#9</b></p> 	<p><b>#10</b></p> 
<p>Safety Hinge 1 PC</p>	<p>Screw 4 PCS</p>	<p>Bolt 10 PCS (Extra 1)</p>	<p>Flat Washer 4 PCS (Extra 1)</p>	<p>Spring Washer 4 PCS (Extra 1)</p>
<p><b>#11</b></p> 	<p><b>#12</b></p> 	<p><b>#13</b></p> 		
<p>Short Screw 25 PCS (Extra 1)</p>	<p>Allen Wrench 1 PC</p>	<p>Safety Strap Kit 1 SET</p>		

## ADDITIONAL TOOLS (Not Provided)

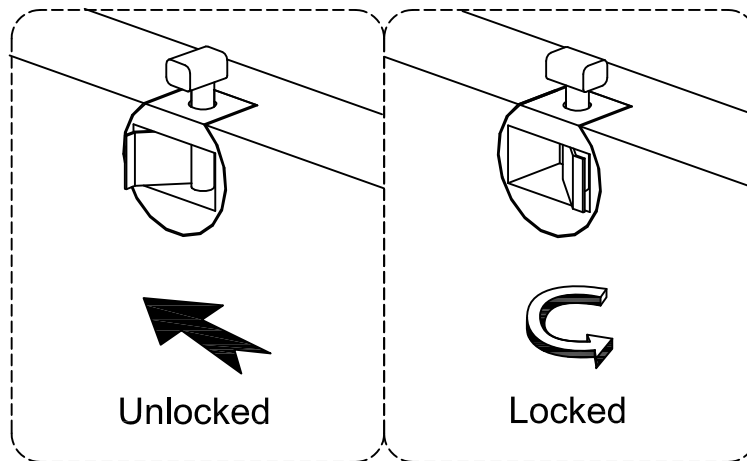
Note: It is not recommended to use power tools during assembly.



Phillips Head Screwdriver

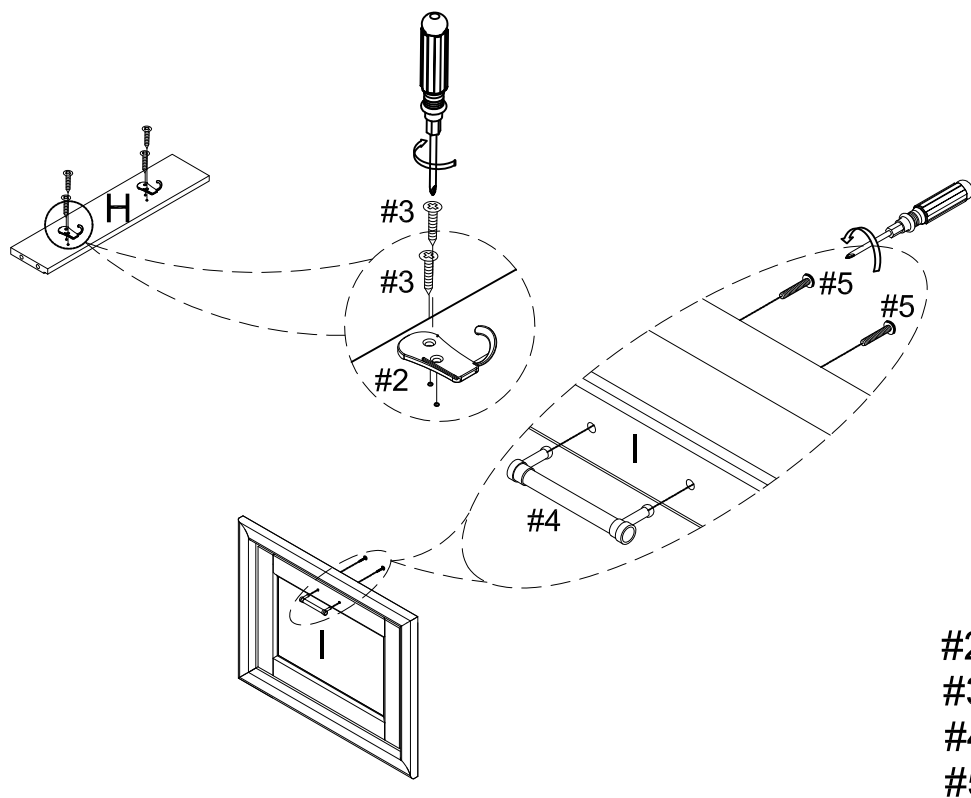
Note: Wood dowels are intended for alignment. Additional clearance between wood dowel and pre-drilled hole is intentional for ease of assembly.

Please do not use tools to assemble this unit unless specifically indicated.

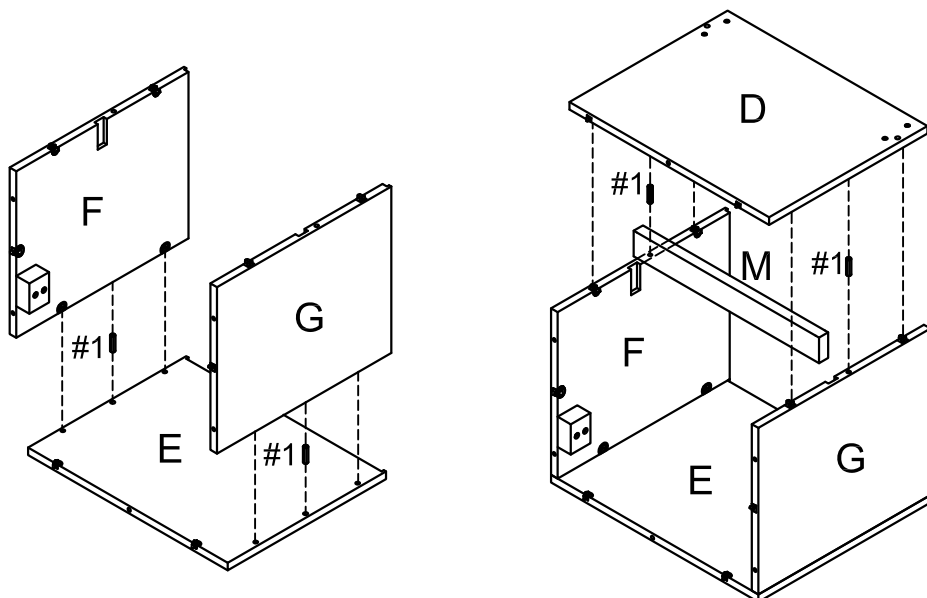


Reference the images above any time the instructions state "lock the hardware".  
Note: Be sure to check all hardware is locked when completed.

Step 1. Attach hooks (part #2) to cross rail (part H) using bronze screws (part #3) and phillips head screwdriver. Attach handle (part #4) to door panel (part I) using round head bolts (part #5) and phillips head screwdriver.

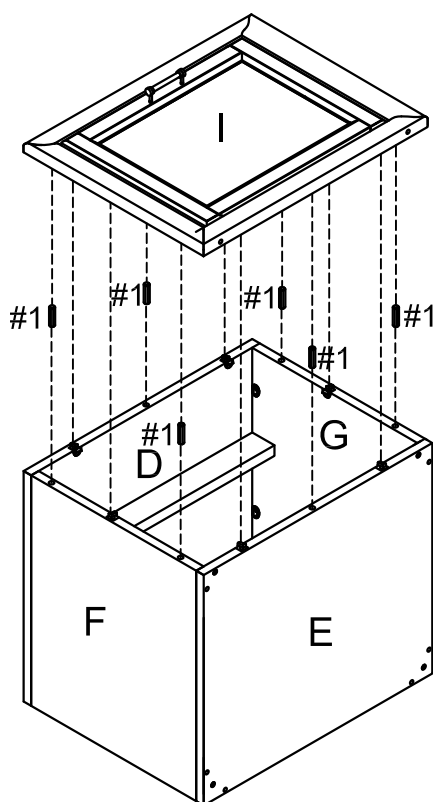


Step 2. Attach bottom left panel (part F) and bottom right panel (part G) to bottom panel (part E) using wood dowels (part #1) and lock the hardware. Insert cross bar (part M) into bottom left panel (part F) and bottom right panel (part G). Attach seat panel (part D) to bottom left panel (part F) and bottom right panel (part G) using wood dowels (part #1) and lock the hardware.



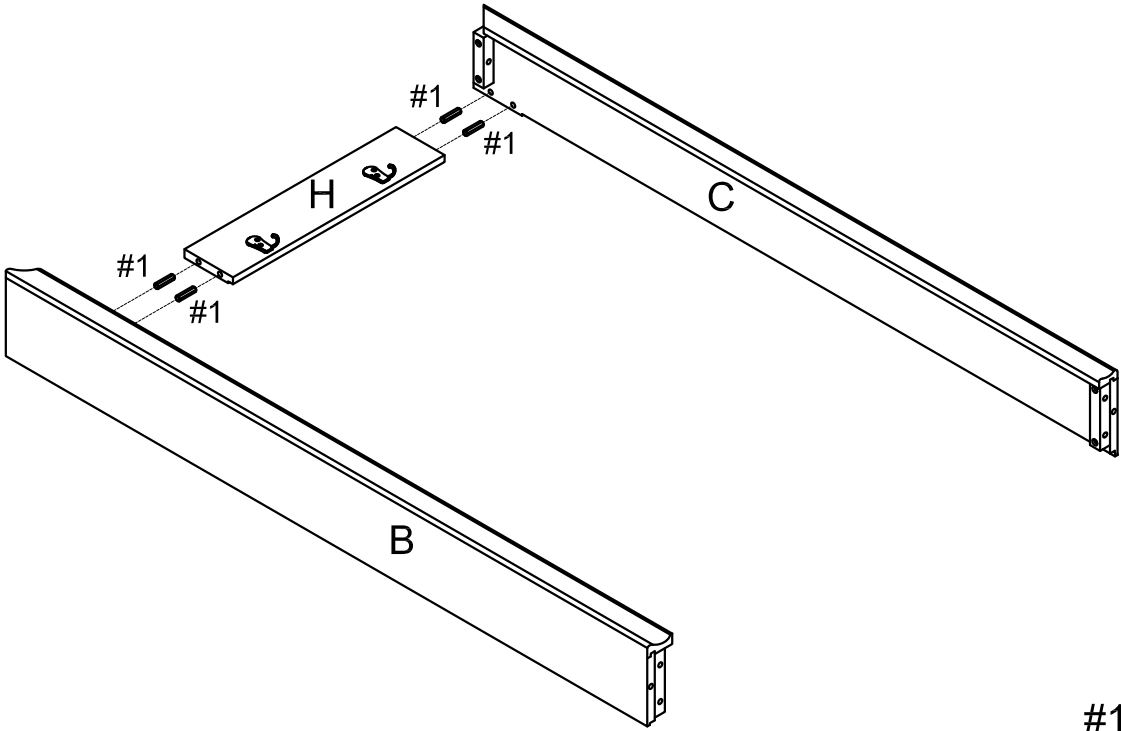
#1  x 4

Step 3. Attach door panel (part I) to assembled unit (parts D, E, F & G) using wood dowels (part #1) and lock the hardware.



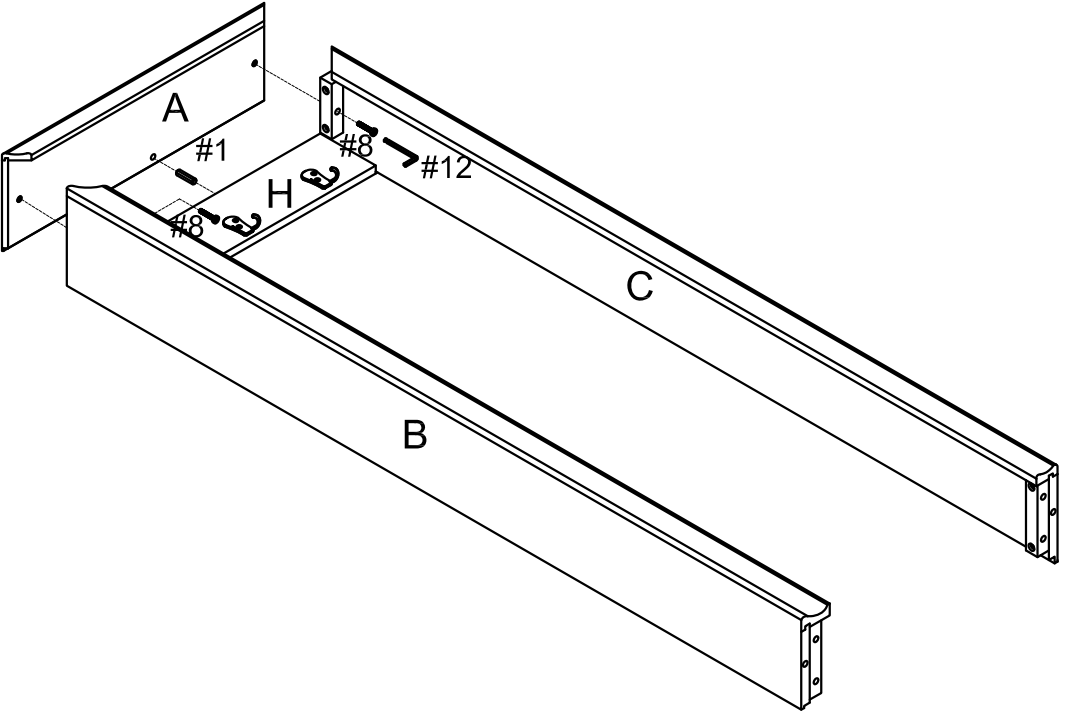
#1  x 6




Step 4. Attach cross rail (part H) to top left panel (part B) and top right panel (part C) using wood dowels (part #1).



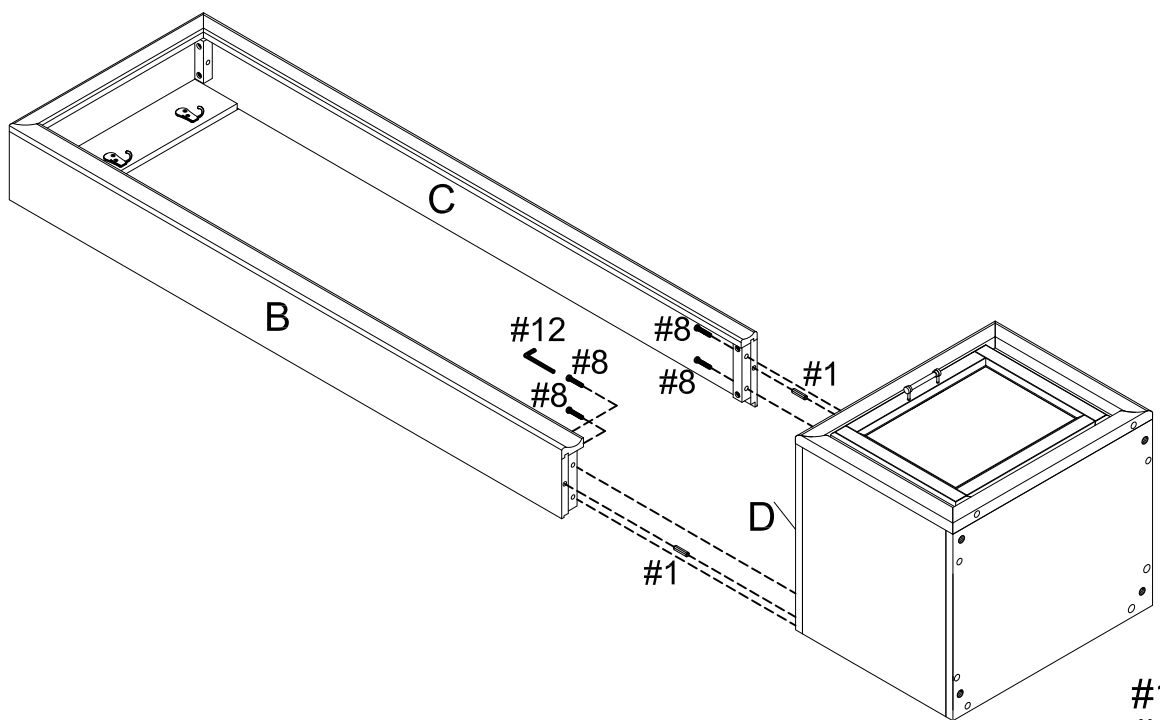
#1  x 4



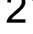
Step 5. Attach top panel (part A) to assembled unit (parts B, C & H) using wood dowel (part #1), bolts (part #8) and allen wrench (part #12).



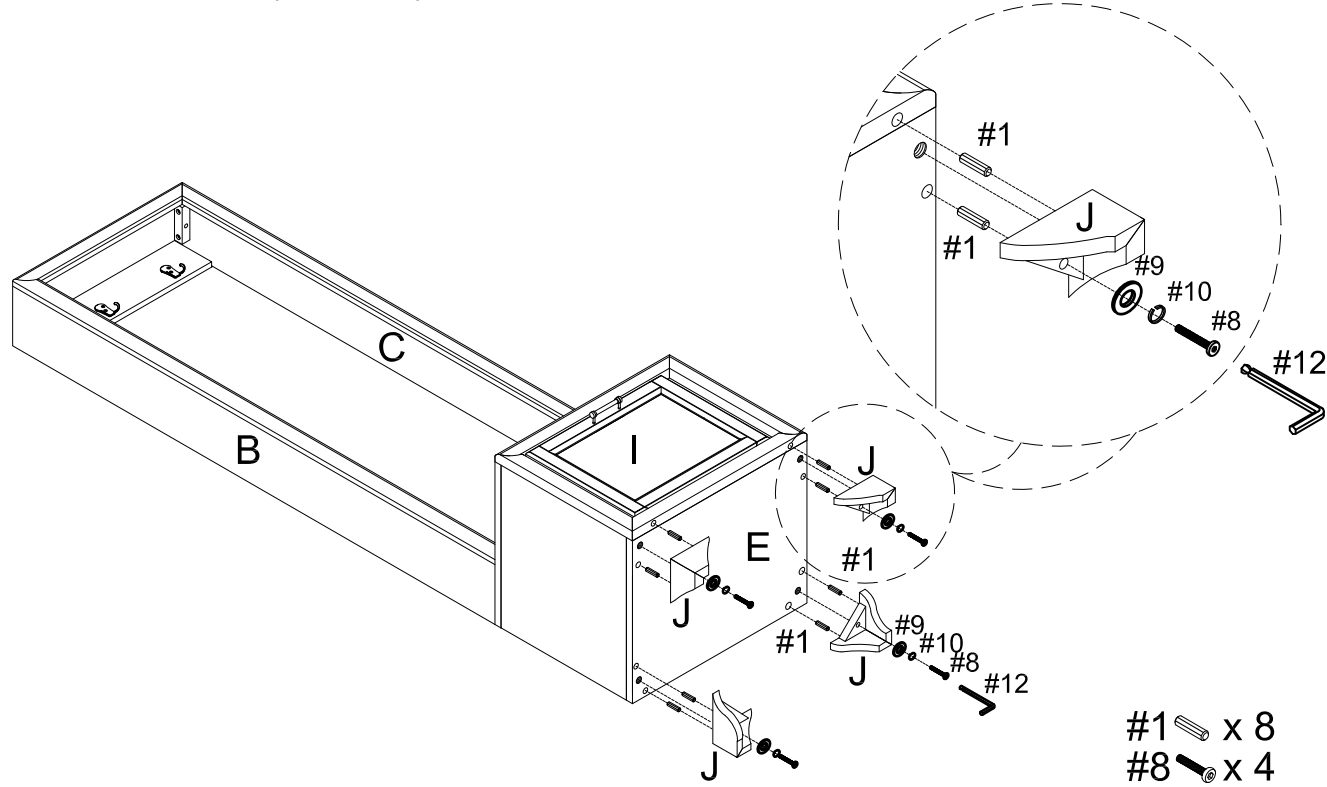
#1  x 1  
#8  x 2  
#12  x 1

Step 6. Attach top panels (parts B & C) to seat panel (part D) using wood dowels (part #1), bolts (part #8) and allen wrench (part #12).



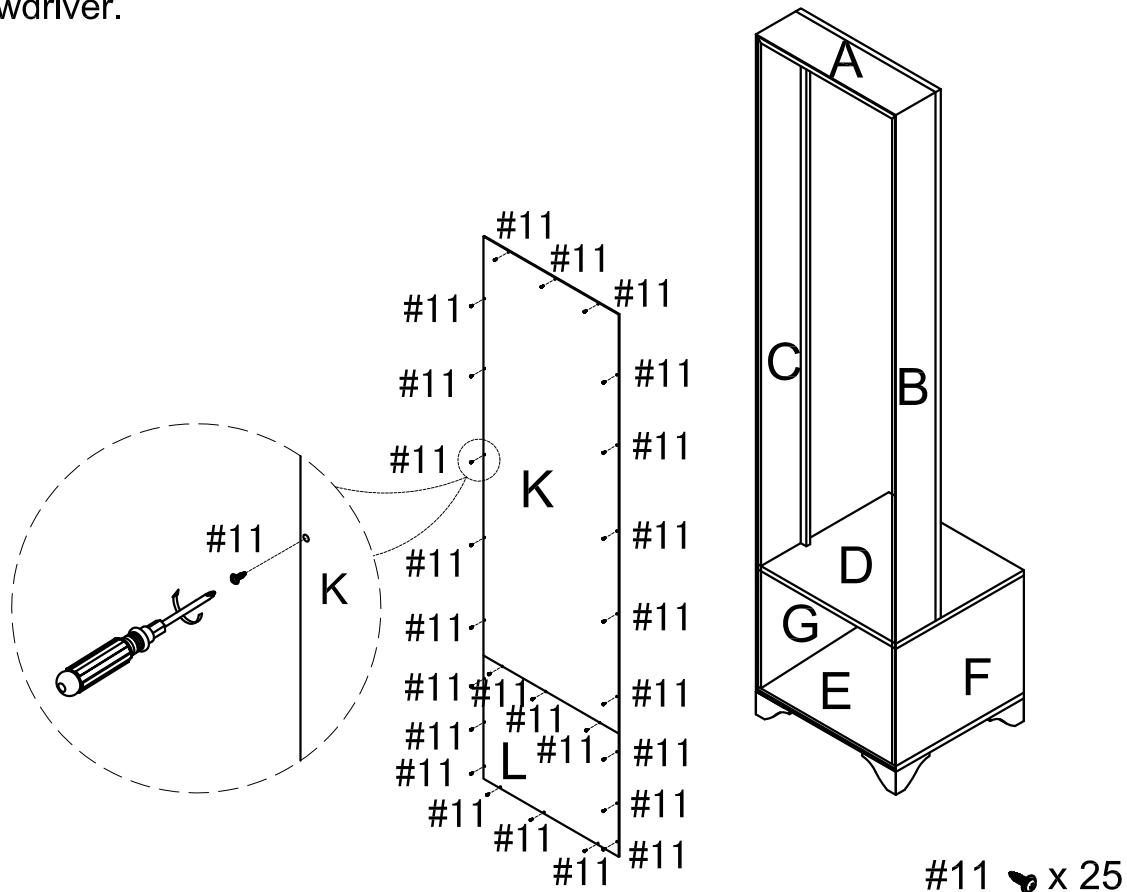
- #1  x 2
- #8  x 4
- #12  x 1

Step 7. Attach legs (part J) to bottom panel (part E) using wood dowels (part #1), flat washers (part #9), spring washers (part #10), bolts (part #8) and allen wrench (part #12).



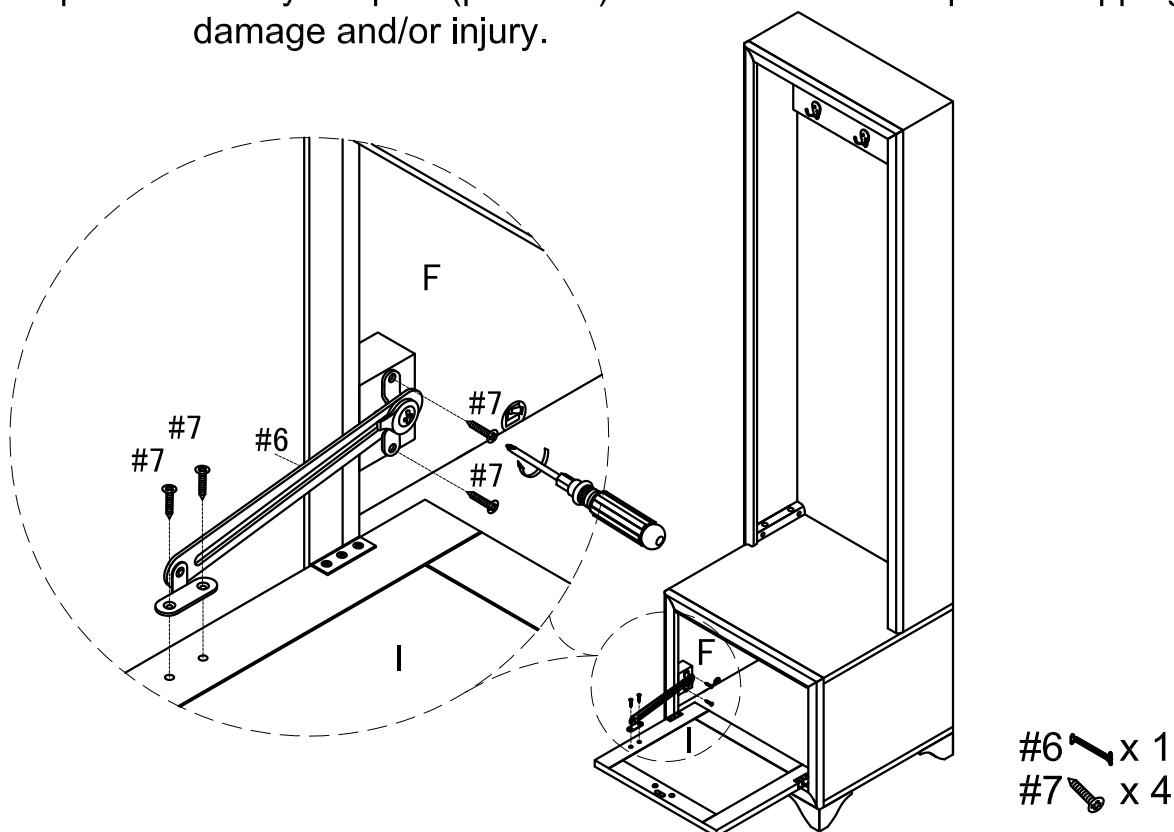
- #1  x 8
- #8  x 4
- #9  x 4
- #10  x 4
- #12  x 1

Step 8. Carefully turn unit upright. Attach back panels (parts K & L) to assembled unit (parts A, B, C, D, E, F & G) using short screws (part #11) and phillips head screwdriver.


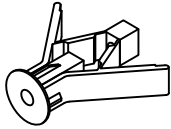



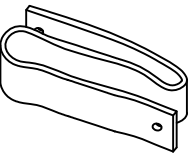


Step 9. Attach safety hinge (part #6) to bottom left panel (part F) and door panel (part I) using screws (part #7) and phillips head screwdriver.

Important: Safety strap kit (part #13) must be installed to prevent tipping, damage and/or injury.





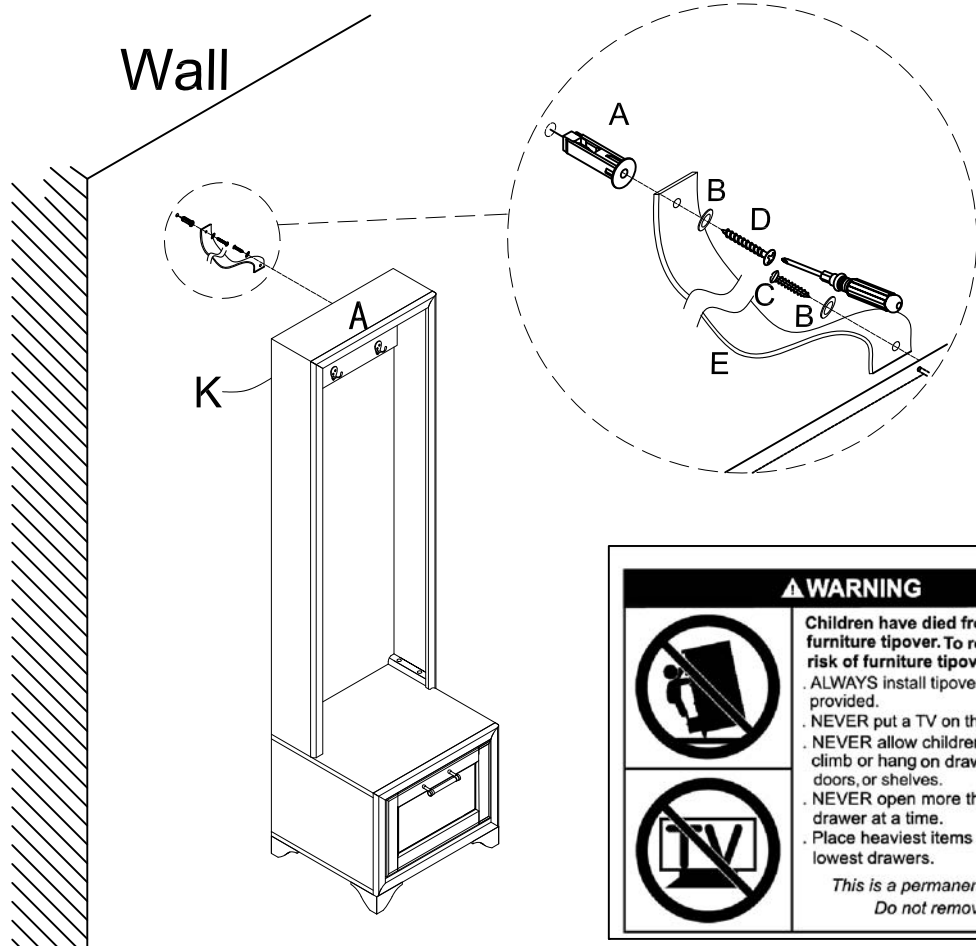
#13	A	B	C	D	E
			 D8*3/4"	 D8*1-1/2"	
Safety Strap Kit 1 SET	Wall Anchor 1 PC	Washer 2 PCS	Short Screw 1 PC	Long Screw 1 PC	Safety Wall Strap 1 PC

## SAFETY WALL STRAP INSTALLATION

Note: It is highly recommended to install this safety strap kit to prevent tipping, damage and/or injury.

1. Insert short screw (C) through washer (B) and safety wall strap (E) and attach to top back panel (part K) using phillips head screwdriver.
2. Drill a 11/32" hole where you want to secure the unit. The drilled hole will be at the same height as the hole in top back panel (part K) where the safety wall strap (E) is attached. Tap wall anchor (A) into the hole.
3. Insert long screw (D) through washer (B) and safety wall strap (E) into wall anchor (A) using phillips head screwdriver.

Note: This item is not intended for clothing storage use.



▲ WARNING	
	Children have died from furniture tipover. To reduce the risk of furniture tipover:
	<ul style="list-style-type: none"> <li>ALWAYS install tipover restraint provided.</li> <li>NEVER put a TV on this product.</li> <li>NEVER allow children to stand, climb or hang on drawers, doors, or shelves.</li> <li>NEVER open more than one drawer at a time.</li> <li>Place heaviest items in the lowest drawers.</li> </ul>
This is a permanent label. Do not remove!	